

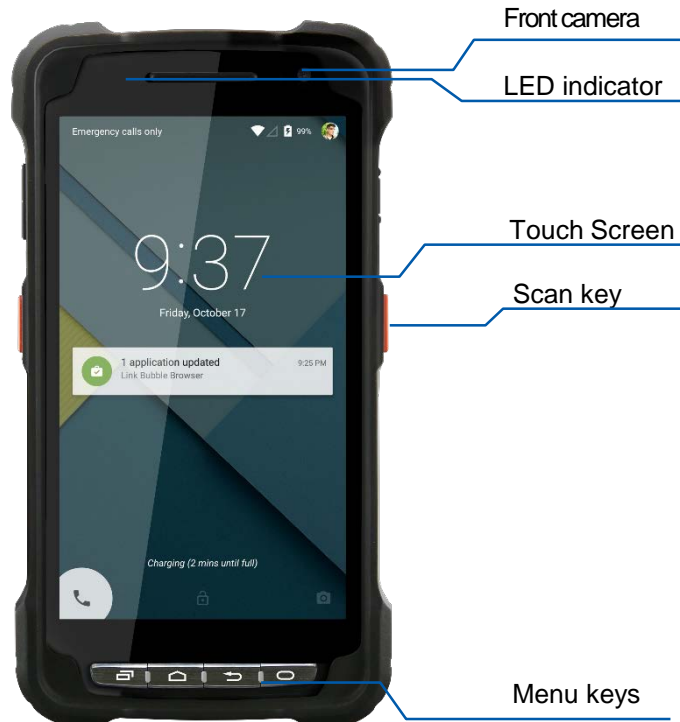
Package contents



- Device
- Stylus pen with Tether
- AC/DC Adaptor (AC plug)
- Battery
- Wrist Strap
- LCD protection film

Device layout

Front



- Front camera
- LED indicator
- Touch Screen
- Scan key
- Menu keys

Device layout

Back



- MSR
- Speaker
- Camera & Flashlight
- Battery cover
- Battery cover lock

Device layout

Up/down & sides



- I/O Connector
- DC socket
- Exit window
- Volume Up/Down
- Headset jack
- Power key
- Scan key

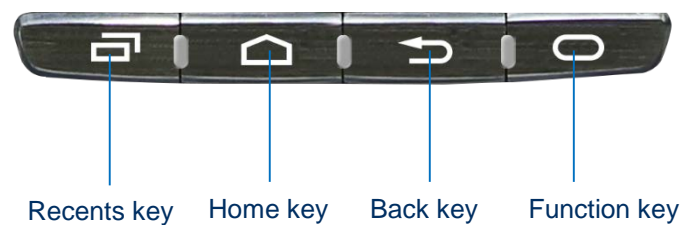


HANDHELD TERMINAL

Quick start guide

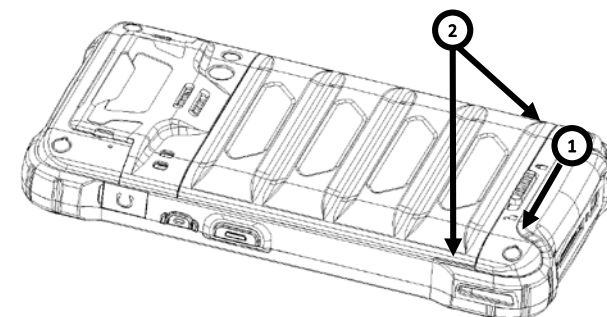
PM80

Menu keys

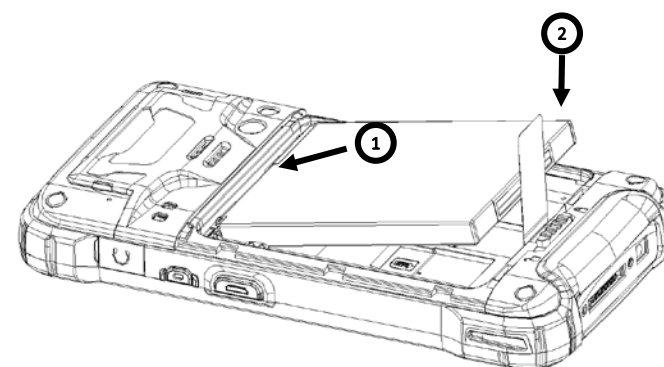


- Recents key**
 - Tap to open the list of recent apps.
- Home key**
 - Press to return to the Home screen while running apps
 - Press to return to the Home screen from other screens
 - Press and hold to launch internet
- Back key**
 - Tap to return to the previous screen or to close current screen (dialog box, option menu, notification panel, etc)
- Function key**
 - Press to set functions on keys
 - Press to create shortcut of programs

Installing battery

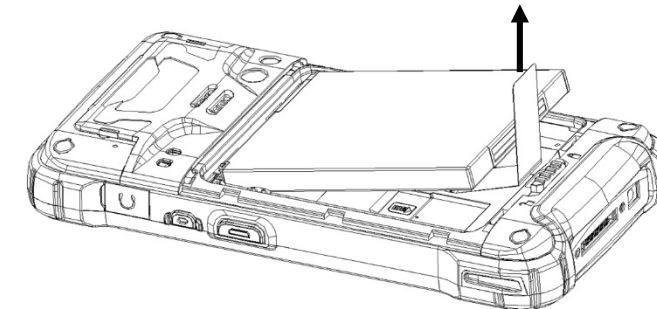


1. Rotate lock to counter clockwise and pull up the battery cover by holding both sides at bottom.

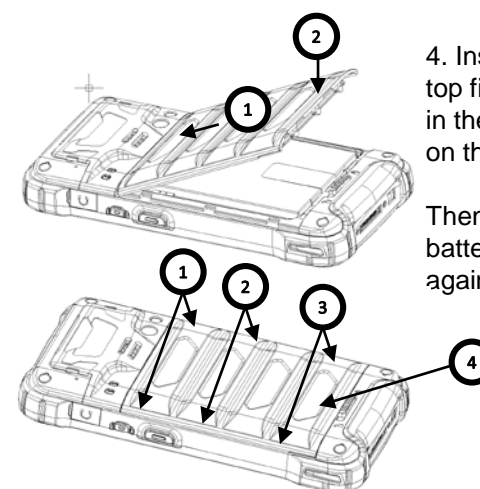


2. Insert battery, top first, into the battery compartment.

Removing battery



3. Hold the ribbon and lift upward to remove battery



4. Insert battery cover, top first and press it in the order named on the picture.
Then press down on battery at the center again.

- Please read this manual before using the device and follow the instructions correctly.
- Some content may differ from your device depending on the device's software version.

Installing/ Removing Micro SD card

Installing Micro SD card



1. Remove battery from device and insert Micro SD card.
2. Insert battery again after installing Micro SD card.

Removing Micro SD card

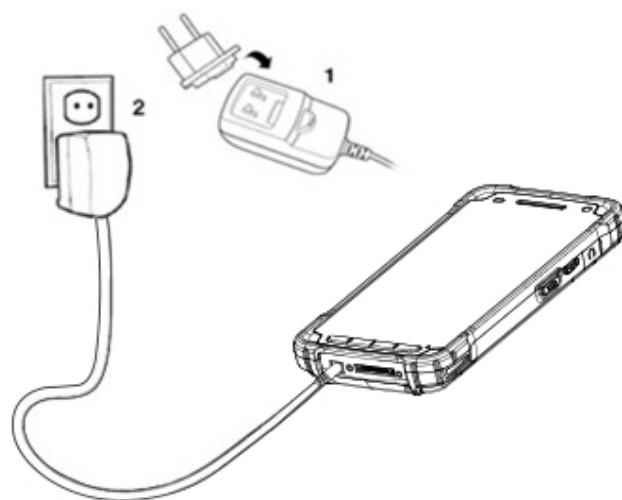


1. Press Micro SD card gently and slide it out.
2. Remove Micro SD card from device.
3. Insert battery again.

<Caution>

- Micro SD card is not standard/optional accessory. Do purchase it from distributor.
- Device supports storage extension upto 32GB with Micro SD card.
- Turn off the device before removing battery.
- Due to installing/ removing battery, save the working data first and then install or remove Micro SD card.

Charging the battery



1. Insert plug on AC/DC Adaptor and connect to electric socket to charge.
2. LED indicator on upper left of device shows red light while charging and it turns to green light when the device is fully charged.

<Caution>

- Use only items provided in your purchase for charging.
- You can also charge the device with optional accessory, cradle.

Standard accessory

5V 2A AC/DC Adaptor



plug



LCD protection film



Battery (3000mAh)



Stylus pen with Tether



Wrist Strap



Optional accessory

SSC(Single Slot Cradle)



4SC(4 Slot Cradle)



4SBC(4 Slot Battery Charger)



I/O USB Sync cable



Extended Battery(4000mA)



Getting Started

Turning the device on and off

- On- Press power key on upper right of device to turn on.
After few seconds, device will turn on.
- Off- Press and hold power key for a while till you and tap power off on the screen options.

Set up

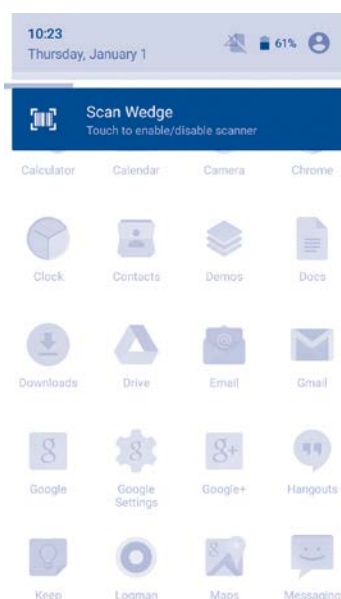
- Start with setting language input, google account, GPS, etc when the device is on for the first time. Device works without SIM card and device functions are available through WLAN network connection and google account registration.

Home screen items

-
- Status bar**
 - Displays status/notification
 - Tap and drag down to show notification panel
 - Browser bar**
 - Tap and google search by text
 - Tap and google search by voice
 - Home screen**
 - Tab and slide right/left to go other screens
 - Tap icons to open applications/ folders
 - Favorites shortcut**
 - Press and hold to set/move applications
 - Opens apps window**

Scanning

Enable/ disable Scan Wedge

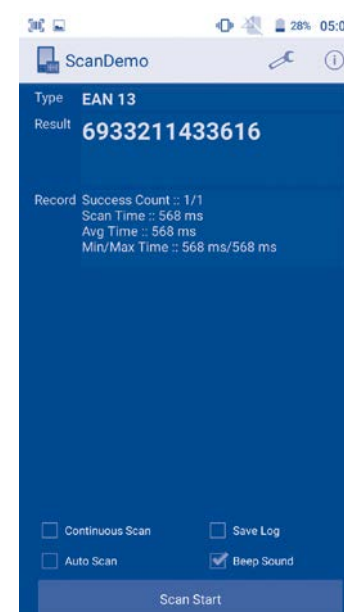


1. Tab status bar on the top and drag to open notification panel.
2. Tab Scan Wedge to enable/ disable scanner.
- 3 If Scan Wedge is set disabled, scanner is at same status.

Enabled scanner icon

Scanning

Testing barcode scanner



1. Execute Demos application on home screen.
2. Tab ScanDemo to open.
3. Press both scan keys at once or any of scan key on the device to scan barcode.
4. Scanned barcode data will show on screen as on the picture left.

Point the scanning beam at the center of barcode and keep scanning angle vertical to it.

Scanning range varies according to bar code size so keep minimum distance for small barcode and further distance for bigger one.

Scanning: aiming pattern



Good: Well aimed



So so: aimed a bit below but still readable



Poor: aimed a bit one sided but still readable.



Bad: aimed diagonal, cannot read



Bad: aimed too one sided to read, cannot read



Bad: aimed vertical, cannot read

Resetting the device

Reboot

Press and hold power key for 3 seconds and select Reboot on options to reboot the device.

Settings -> back up and reset -> Factory reset -> Reset phone

Factory reset

Follow the process by tapping next button to complete factory reset.

<Caution>

- Back up all data - personal, application settings, account information and etc. before performing factory reset as it causes all data delete.

Setting the date and time

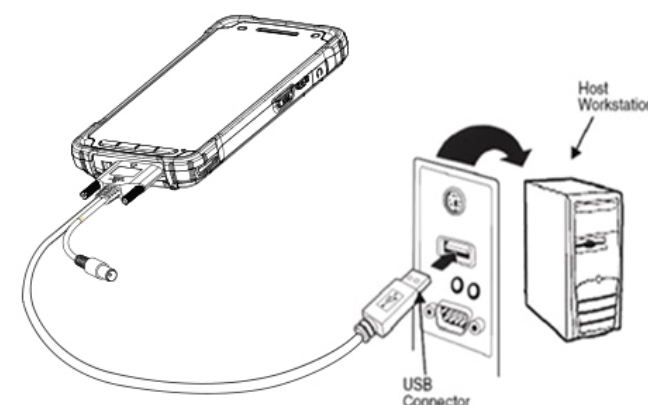
Go to below route to set date and time.

Settings -> Date and time -> Uncheck automatic date & time, Uncheck automatic time zone

Access to above route and alter the following settings according to user's decision.

- Set date
- Set time
- Select time zone
- Use 24-hour format
- Select date format

Connecting to PC



Connecting USB data Sync cable

Connect to PC and transfer data in Micro SD card/ device storage with I/O USB data Sync cable.

Connecting – connect USB cable to USB port of PC and I/O connector.

- Tab media device connection on notification panel of status bar.
- Select file transfer on pop up window.

Disconnecting – Tab to show notification panel and select media device connection.

- Select media device (MTP) and disable the connection.

Technical support & A/S

Offline

Tel: 02-3397-7870

Fax: 02-3397-7872

Address: B-9F Kabul Great Valley, 32, Digital-ro 9-gil, Geumcheon-gu, Seoul, Korea 08512

Online

Website: <http://www.pointmobile.co.kr/>

E-mail: gmchoi@pointmobile.co.kr

User guides

User guides supports detailed information on safety & regulations of device and accessories.

Due to the possibility of electric wave interference by device, no support on life safety.

Certification

Equipment name: Wireless data communication system device (Wireless Access System device with Wireless LAN)

Model: PM80

Trade name of certified: POINT MOBILE CO.LTD
Manufacturer/ Country of origin: POINT MOBILE CO.LTD/ China

Production date: 2015.12.XX

Certification No. : MSIP-CMM-PM1-PM80W

Warning

⚠ Do not allow any strong pressure or impact on the touch screen. Do not touch any interior liquid from LCD panel breakage that may cause skin irritation.

⚠ Use only approved AC/DC power adaptor provided with device or from distributor. Disapproved products may cause unexpected problems as fire, electric shock, etc.

⚠ Disapproved modification or repair is not guaranteed. Inquire to distributor for any troubleshooting.

⚠ Li-ion battery follows varied regulations in each region/ country. Accordingly, recycle or disuse li-ion battery properly. Do not leave or store it in fire or heat it or disassemble or short circuit it.

⚠ Prevent plug and consent from dust and dirt to keep them clean. Improper storing or misuse may cause fire, electric shock, etc.

Standard features

Item	Specifications
Model	PM80
Operating System	Android 5.0 or higher(GMS/CTS certified)
Software	Tools and Demos
Micro-Processor	Qualcomm 8016 1.4GHz Quad Core
Memory	1GB RAM X 8GB Flash(Upgradable)
Memory extension	User accessible Micro SD memory card slot.
Display	5.0" Wideviewing angle IPS(1280 X 720 pixels)
Data capture options	2D engine : SE4710
Keypad	Touch screen & Front 4 hard keys
Audio	Built-in microphone and speaker
I/O	High speed USB 2.0 from cradle (or I/O cable)
Weight	Below 270g
Wifi	802.11 a/b/g/n(Up to 150Mbps)
Bluetooth	Bluetooth v4.x, class2
NFC/RFID	13.5593MHz
Serial(RS232C)	9600bps,19.2kpbs,38.4kpbs,57.6kpbs,115.2kpbs
USB	USB HS 2.0 OTG Support via I/O connector
Battery	Li-ion battery 3.8V / 3000 mAh / 11.4 Wh
Adaptor	Output: 5V / 2A, Input: 100-240V~50/60Hz 0.4A
Charger	5V input through DC port.
Battery	Capacity: 3000mAh – Less than 4hrs.
Operating temperature	-20°C ~ 60°C
Rain/dust protection	IP67

무선사양(주파수)

WLAN

- 802.11b/g/n : 2412~2472MHz
- 802.11a/n: 5180~5240, 5260~5320, 5500~5620, 5745~5805MHz

Bluetooth

- 1~3Mbps: 2402~2480MHz
- LE: 2402~2480MHz

WCDMA

- Band 1 (transmit): 1922.8~1977.2MHz
(receive): 2112.8~2167.2MHz

LTE

- Band 3 (transmit): 1715~1785MHz
(receive): 1810~1880MHz
- Band 5 (transmit): 824~849MHz
(receive): 869~894MHz

Allowed to use in all area.
Please use the device at 1 cm or more distance away from your body.



HANDY TERMINAL

Quick start guide

PM80

- For more details of product information and user guide, please refer to our website (www.pointmobile.co.kr)